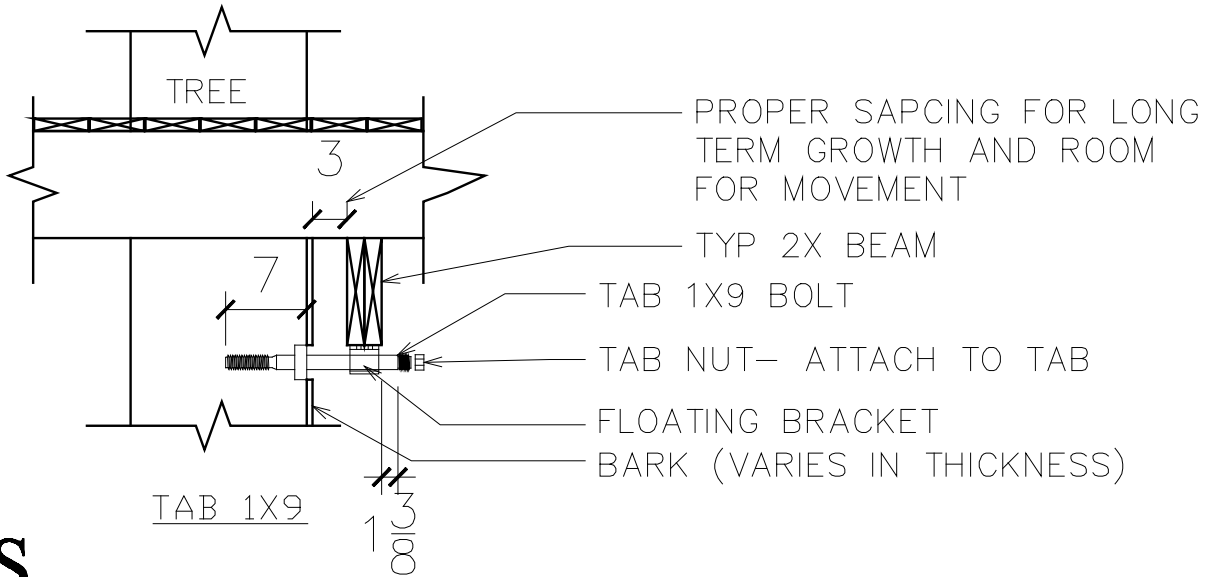


VS



VS

